

P3X Spot Light (Track)

90W LED/ 60°



ORDERING GUIDE

CXP3X - - - - **PSP** -

Mode

CLR All Modes
EZ All EZ Modes
RGB RGB Mode Only
CCT Tunable CCT Mode Only
3200 Fixed 3200K
5600 Fixed 5600K

Finish

WH White
BK Black

Mount

TOX w/ O-type DMX Track Adapter
TEX w/ E-type DMX Track Adapter (Legacy product)

Power Supply & Control

PSP Power Supply w/ Pass-Through DMX

Plug/Connection

US US 120V
EU EU 220V

SPECIFICATIONS

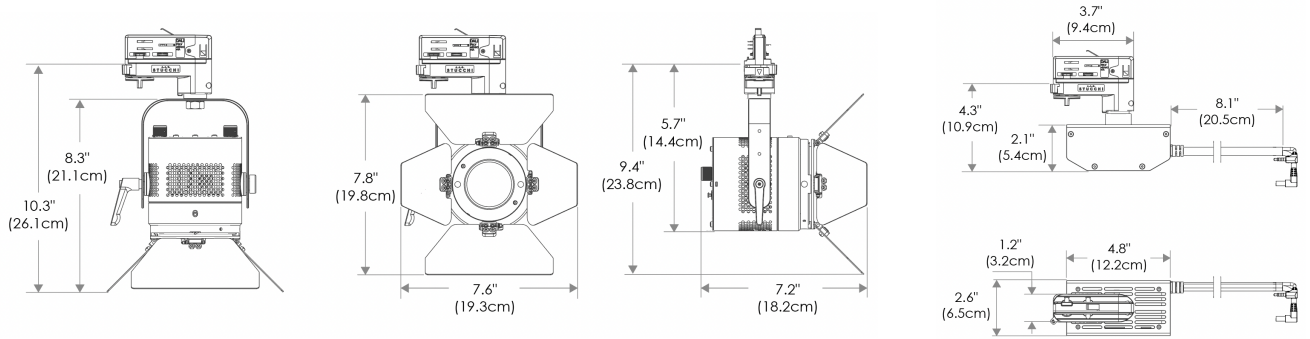
Beam Angle	60°
CRI / TLCI	95/90 typical (in CCT Mode of 2800K-6500K)
Dimming	100% - 0% flicker free
AC Power Draw	90W max
AC Input	100 - 240V AC, 50 - 60Hz
Remote Control	DMX 512
Cooling	Fan Cooled
Acoustic Noise	19 dBA (Auto Mode)
Operating Temp.	32 - 104°F (0 - 40°C)
Weight (Fixture + Power Supply)	3.3lb / 1.5kg

- Cine-Grade Light Quality
- Point-Source LED
- DMX Controllable
- 90W Power Draw
- Compact (< 8" of Vertical Space)

MECHANICAL FIGURES

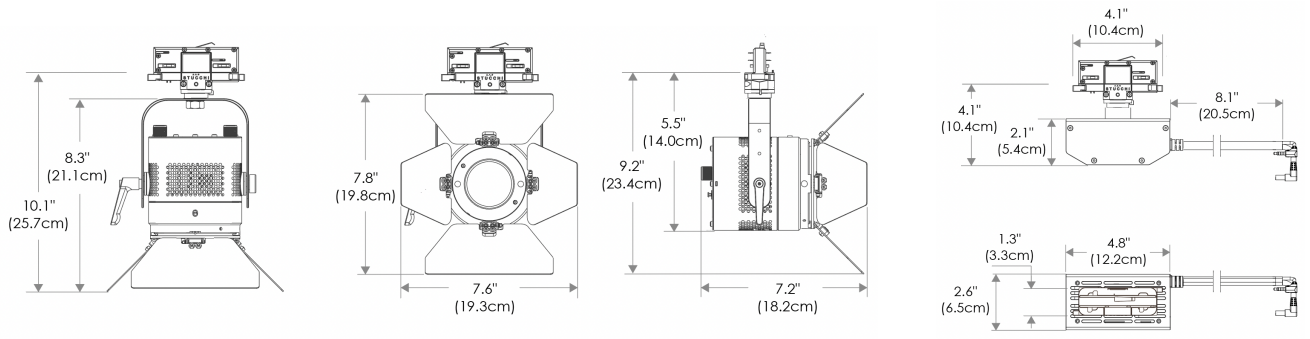
PSP

US

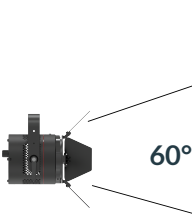


PSP

EU

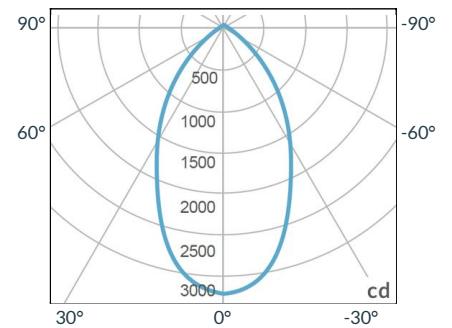


PHOTOMETRIC DATA



Distance		3' (~0.9 m)	10' (~3.0 m)	15' (~4.6 m)
@3200K	fc	345	36	20
	lux	3714	388	216
@5600K	fc	356	37	21
	lux	3832	399	227
Beam Diameter		Ø 2.7' (~0.8m)	Ø 9.3' (~2.8m)	Ø 13.9' (~4.2m)

Beam Angle : 60°



ACCESSORIES

(specify finish by adding -BK or -WH)



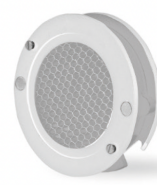
6x8 Softbox
CLXP3-6x8SB



Fresnel Lens 20deg
CLXP3CLR-FRNL20



Fresnel Lens 20deg Snoot
CLXP3CLR-SNOOTF20



Honeycomb
TRA006N



Dome Diffuser
CLXP3CLR-DOME1S

MODE DESCRIPTION

Mode Description	Available Modes
- CLR	All Modes (8 bit and 16 bit)
- EZ	All EZ Modes (8 bit) (EZ CCT / EZ HSI / EZ RGBW / EZ RGB / EZ ICTHS / EZ ICT RGBW / EZ 3200K / EZ 5600K)
- RGB	EZ RGB (8 bit)
- CCT	EZ CCT (8 bit)
- 3200	EZ 3200K (8 bit)
- 5600	EZ 5600K (8 bit)

See Downloads portion of webpage for full DMX profiles